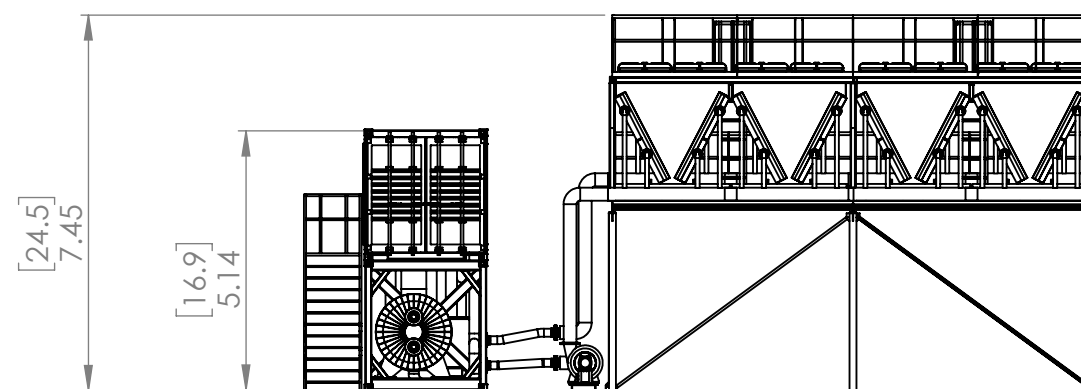
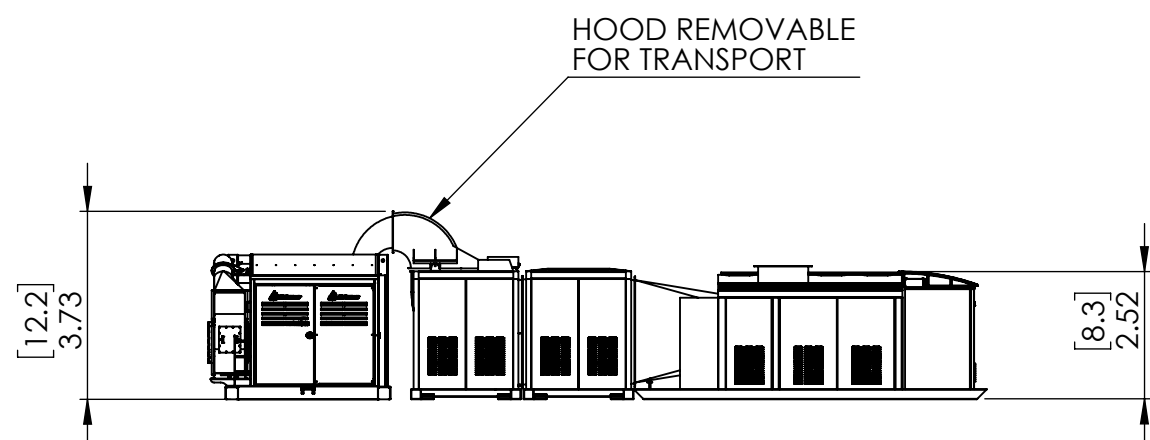
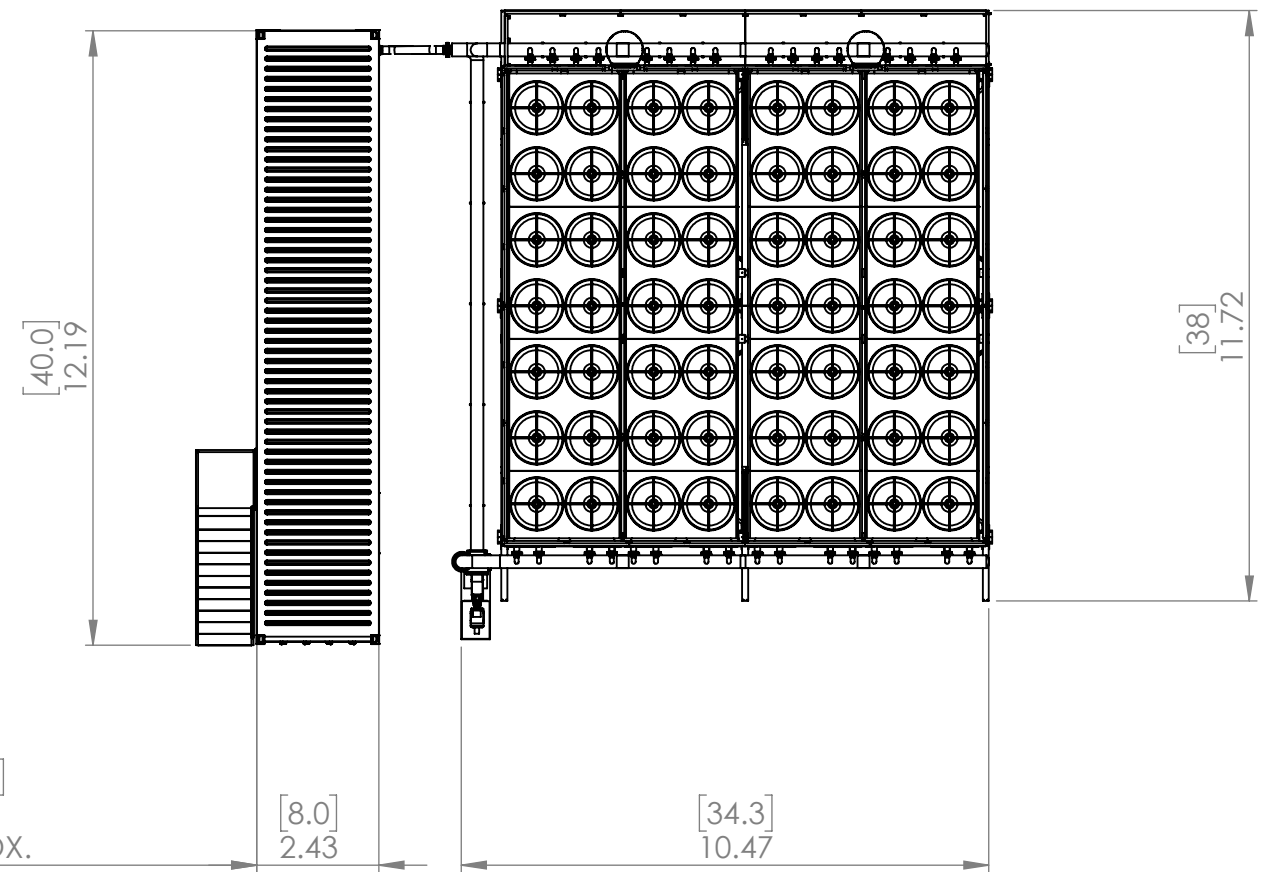


LAYOUT SHOWN WITH S-327 FIREBOX



REMOVE ALL BURRS & SHARP EDGES.
DRAWING & CONTENTS ARE CONFIDENTIAL & PROPERTY OF AIR BURNERS, INC.

UNLESS OTHERWISE SPECIFIED DIMENSIONS ARE IN INCHES TOLERANCES ARE: FRACTIONS: DECIMALS: ± 1/16 X = ± .1 ANGLES .XX = ± .01 ± 2° .XXX = ± .005	CONTRACT NO.		AIR BURNERS, INC.	
	APPROVALS	DATE	TITLE	
	DRAWN	5/31/2016	SIZE	CAGE CODE
	CHECKED J. HILLIARD	7/7/2017	DWG NO.	REV.
FINISH	ENGR B. O'CONNOR	5/31/2016	Site Layout_PGF-1000	-
SIMILAR TO	DESIGN ACTIVITY	7/7/2017	SCALE: NONE	SHEET 1 OF 1